



BMMG001/BMMG002 MEAT GRINDER PARTS BREAKDOWN

BMMG001 PARTS LIST

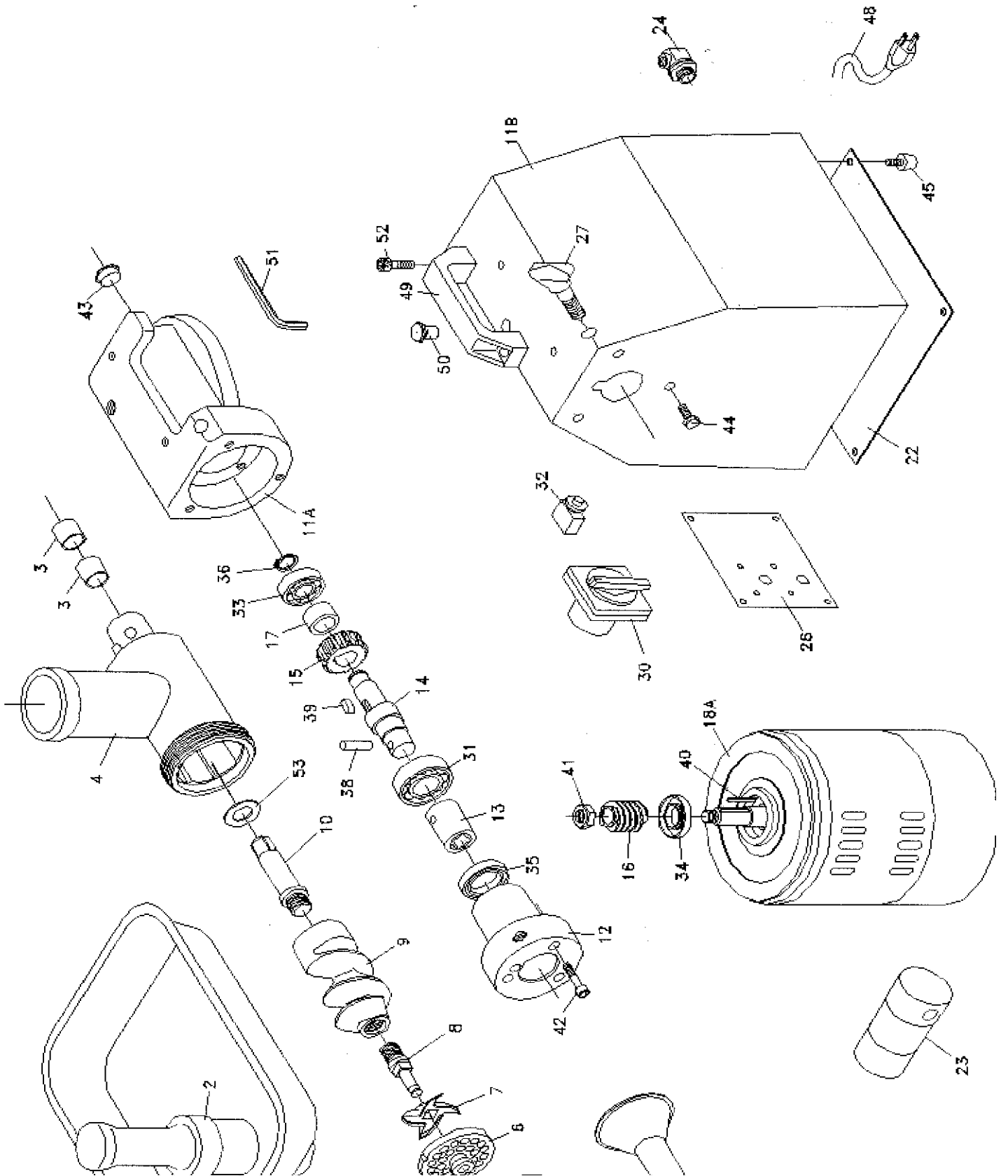
ILLUS. NO. 1 BMMG001	DESCRIPTION OR NAME	PARTS NO.
1	FEEDER PAN	
2	MEAT PUSHER	
3	BALL BEARINGS 1915	
4	GRINDING CHAMBER	
5	COUPLING COVER	
6	PRESSURE PLATE	
7	REAMER	
8	HOLDER	
9	SPIRAL PROPELLER	
10	PLUNGER	
11	GEAR BOX	
11	HOUSING	
12	ATTACHMENT HUB	
13	HUB SHAFT	
14	WORM SHAFT	
15	WORM GEAR	
16	WORM	
17	SPACER	
18	MOTOR	
22	PLATE	
23	CAPACITOR	
24	CABLE TIE	
25	POWER CORD & PLUG	
26	SPECIFICATION PLATE	

BMMG01 Parts List Continued

27	THUB SCREW	
28	CENTRIFUGAL GOVERNOR PLATE	
29	CENTRIFUGAL GOVERNOR	
30	SWITCH	
31	BALL BEARING#6205	
32	RESET	
33	BALL BEARING#6203	
34	OIL SEALTC20*40*8	
35	OIL SEALTC30*45*8	
36	C-TYPE SNAP RING S17	
37	MEAT FUNNEL	
38	SPRING PIN 8*30	
39	KEY 6*6*15	
40	KEY 1/8*1/8*25	
41	NUT 1/2*20NF	
42	CAPSCREW5/16*1-1/4	
43	OIL BAFFLE	
44	BOLT 5/16*3/8	
45	RUBBER FOOT WITH SCREW	
46	MACH SCREW 3/16*3/8	
47	MACH SCREW 3/16*3/8	
48	ELECTRIC WIRE	
49	HANDLE	
50	OIL COCK	
51	WRENCH	
52	CAP SCREW5/16*1/2	
53	SPACER	

Image 1

BMMG001



BMMG002 PARTS LIST

ILLUS. NO. 2 BMMG002	DESCRIPTION OR NAME	PARTS NO.
1	FEEDER PAN	
2	MEAT PUSHER	
3	BALL BEARING#1915	
4	GRINDING CHAMBER	
5	COUPLING COVER	
6	PRESSURE PLATE-4,/6/8/10/12mm	
7	REAMER	
8	HOLDER	
9	SPRIAL PROPELLER	
10	PLUNGER	
11	GEARBOX	
11	HOUSING	
12	ATTACHMENT HUB	
13	HUB SHAFT	
14	WORM SHAFT	
15	WORM GEAR	
16	WORM	
17	SPACER	
18	MOTOR	
22	PLATE	
23	CAPACITOR	
24	CABLE TIE	
25	POWER CORD & PLUG	
26	SPECIFICATION PLATE	
27	THUB SCREW	
28	CENTRIFUGAL GOVERNOR PLATE	
29	CENTRIFUGAL GOVERNOR	
30	SWITCH	
31	BALL BEARING#6205	
32	RESET	
33	BALL BEARING#6203	
34	OIL SEAL TC20*40*8	
35	OIL SEAL TC30*45*8	
36	C-TYPE SNAP RING SI7	
37	MEAT FUNNEL	
38	SPRING PIN 8*30	
39	KEY6*6*15	
40	KEY1/8* 1/8*25	
41	NUT 1/2*20NF	

BMMG002 Parts List Continued

42	CAP SREW 5/16*1-1/4	
43	OIL BAFFLE	
44	BOLT 5/16*3/8	
45	RUBBER FOOT WITH SCREW	
48	ELECTRIC WIRE	
49	HANDLE	
50	OIL COCK	
51	WRENCH	
52	CAP SCREW 5/16*1/2	
53	SPACER	

Image 2
BMMG002

