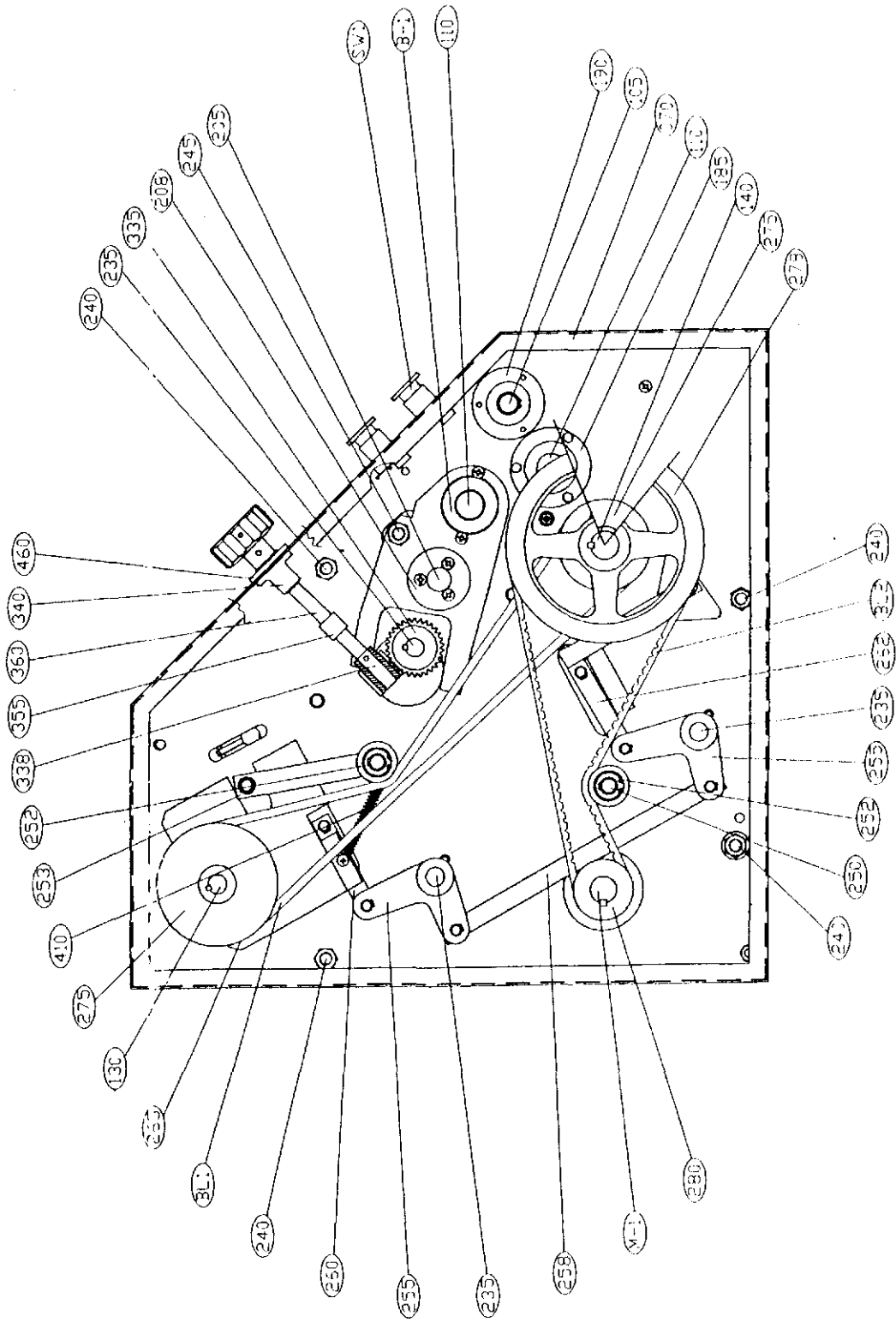




French Bread Moulder BMFBM001 PARTS BREAKDOWN

FIGURE 1



SPARE PARTS LIST

Spare parts code (Figure 1)	Name of spare parts
050	Right Plate Block
070	Left
105	Roller
110	Roller
130	Roller
140	Roller
190	Bearing Block
200	Bearing Block
205	Fixing Block
210	Electric Wheel
225	Adjusting Bracket
235	Adjusting Shaft
240	Fixing Shaft
245	Fixing Shaft
250	Guide Wheel Block
252	Guide Wheel
253	Guide Wheel Bracket
255	Rod Bracket
256	Rod Bracket
258	Connection Rod
260	Connection Rod
262	Connection Rod
263	Connection Rod
265	Cover Plate
278	Pulley
280	Motor Plate
300	Chain Wheel
305	Chain Wheel
310	Chain Wheel
315	Chain Wheel
320	Chain Wheel
325	Chain Wheel
335	Worm Wheel
338	Worm Rod
340	Fixing Block
355	Fixing Block
360	Rotor
365	Rotor Rod
410	Spring
455	Circle Rod
460	Packing Ring
BL1	Belt
BL2	Belt
M-1	Motor
B-1	Bearing
SW1	Switch

Warranty



SPECIAL TERMS & CONDITIONS

- BakeMax® reserves the right to make improvements or equipment specification changes without prior notice.
- Set up and installation is client's responsibility.
- Failure to follow all instructions in operations manual, properly install, maintain equipment, follow capacity charts, or electrical information may void warranty.

Titan Ventures International Inc.
PO Box 23083, Moncton NB, E1A 6S8
Toll Free: 1-800-565-BAKE
Telephone: 1-506-858-8990
Fax: 1-506-859-6929

- One year Parts and Labor limited warranty.
- Warranty begins at date of installation, delays of installation and extended warranty must be approved.
- All equipment must be properly installed and connected by qualified professionals if not a standard Plug 'N Go* operation.
- All equipment must be used within tolerance limits of machine.
- Any abuse of equipment or improper use of machine will void the warranty.
- Accessories or attachments have 90 day warranty to be repaired or replaced.
- Repairs include Parts and Labor only, excluded are the following:
 - Electrical components such as fuses, bulbs, elements switches are not covered by this warranty.
 - Overtime labor rates.
 - Expedited freight for parts.
 - Travel charges.
- All defective parts must be returned to BakeMax® for credit.
- BakeMax® is not responsible for production downtime or product losses.
- Repairs must be pre-authorized by BakeMax® prior to work commencing.
- Emergency service 24/7 at 1-800-565-2253

*Plug 'N Go operation requires machine be properly connected to proper wall outlet.

Think Quality, Value, Service.....Think

BakeMax®

Toll Free: 1-800-565-BAKE Web Site: www.bakemax.com E-mail: sales@bakemax.com